

# Thule Rapid System - Foot pack 750

## For cars without raingutters

**750**/1200-1

**5** *års garanti*  
*years warranty*  
*Jahre Garantie*  
*ans de garantie*

### Components:

Foot package consisting of 4 load carrier feet and 4 knobs.

NOTE! must be supplemented with kit and load bars as specified in the Thule Roof Rack Guide to constitute a complete load carrier system. For use with both Thule square load bars and aerodynamic bars with T-tracks.

### Materials:

**Feet** in galvanized, powder-coated steel plate.

**Mechanical parts** treated with corrosion-resistant coating.

**Plastic parts** in high-quality poly-amide.



- Quick and easy to fit, no tools required.
- No loose parts.
- Max. roof load: Observe the vehicle manufacturer's instructions.
- TÜV/GS approved (DIN 75302).
- Patented THULE design.

Can be locked with art.nos.: 544, 596 or 588.

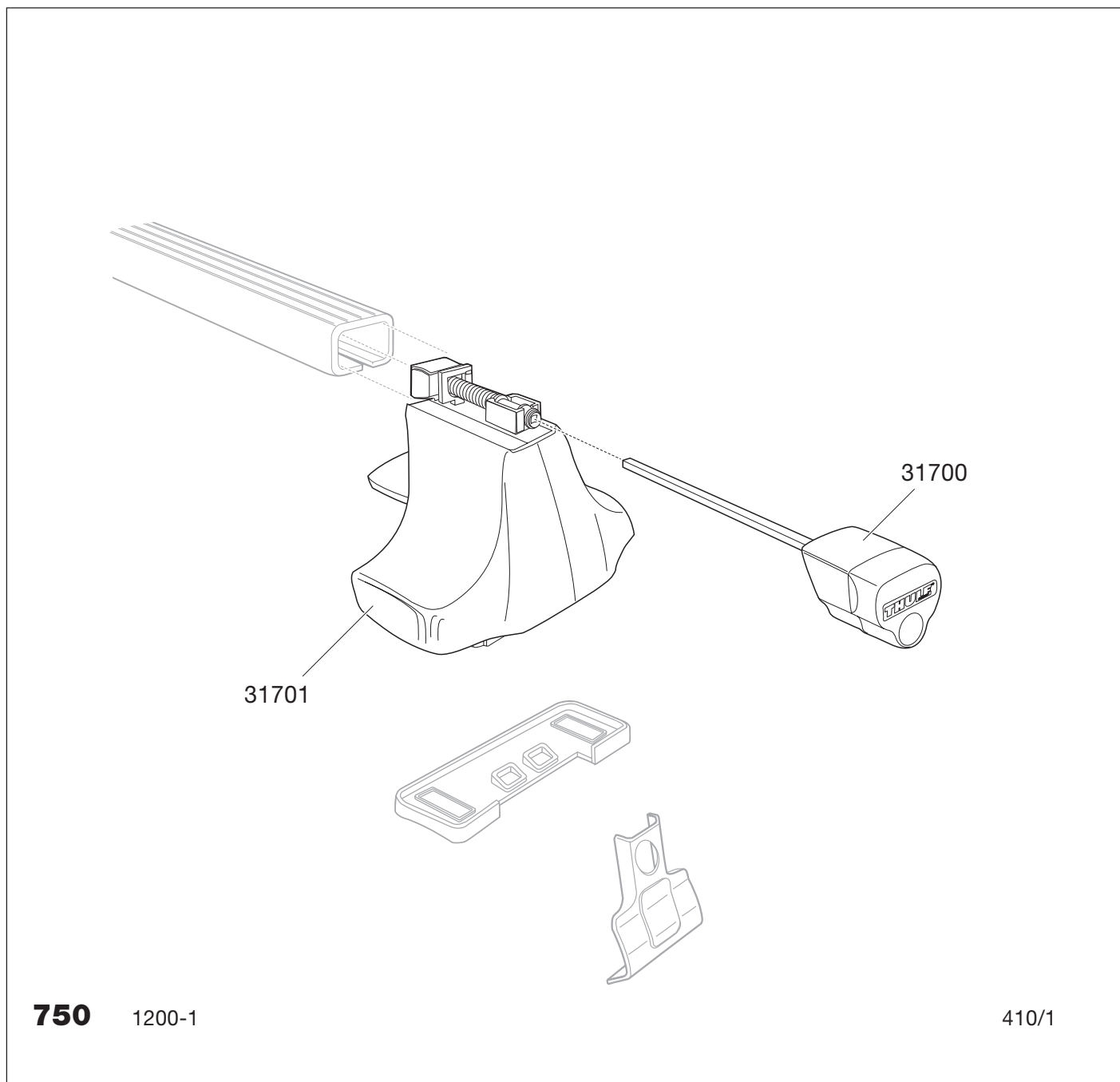
Art.Nos: 596/588 include a further 2/4 lock cylinders for use with other lockable accessories.

- All parts coming into contact with the vehicle coated with soft plastic.
- Featuring THULE's One Key System.



# Thule Rapid System - Foot pack 750

## For cars without rain gutters



### Individual packs

| Product    | EAN            | Kg  | L/W/H in cm |
|------------|----------------|-----|-------------|
| <b>750</b> | 7 313020120010 | 2,8 | 40/20/9     |

### Carton / Pallet

| Product    | Qty/kg  | L/W/H in cm |
|------------|---------|-------------|
| <b>750</b> | 144/414 | 120/80/120  |