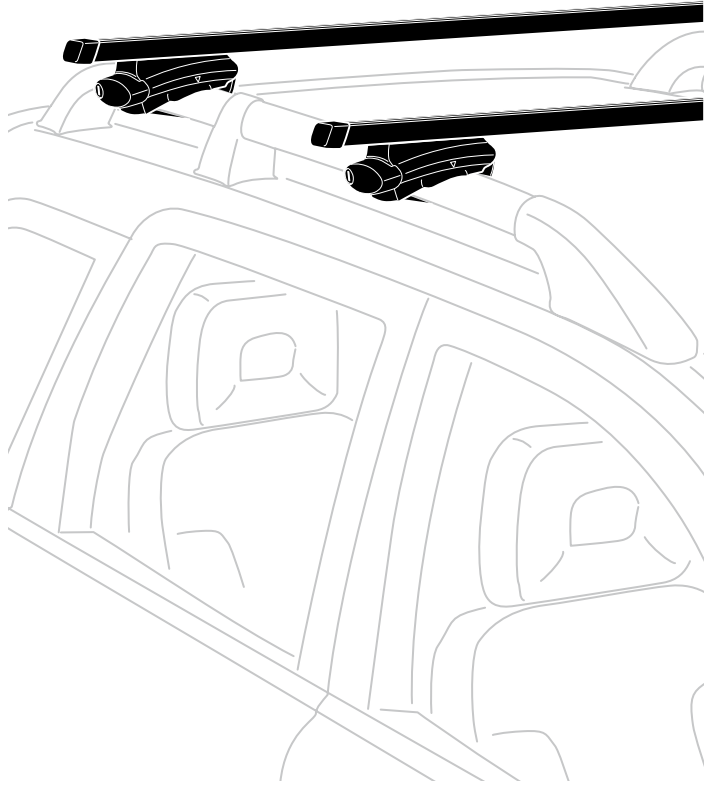


instructions

# Rapid System 775

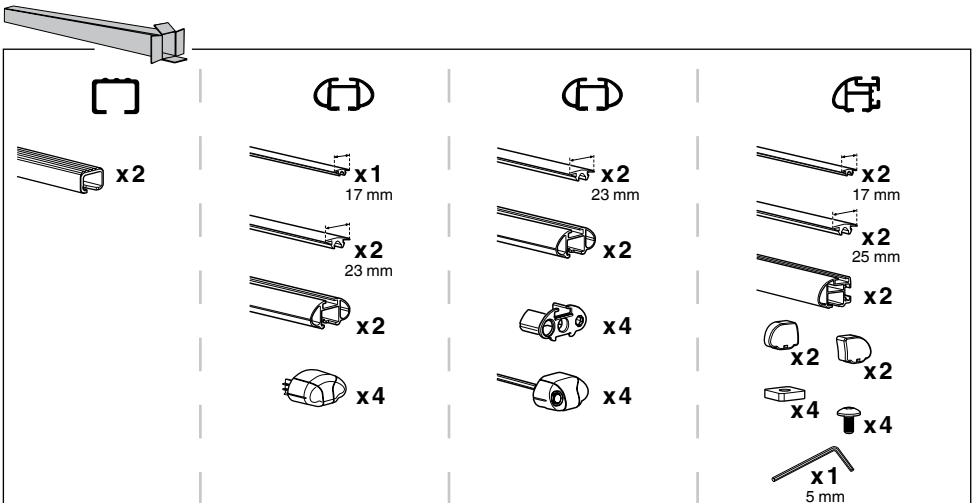
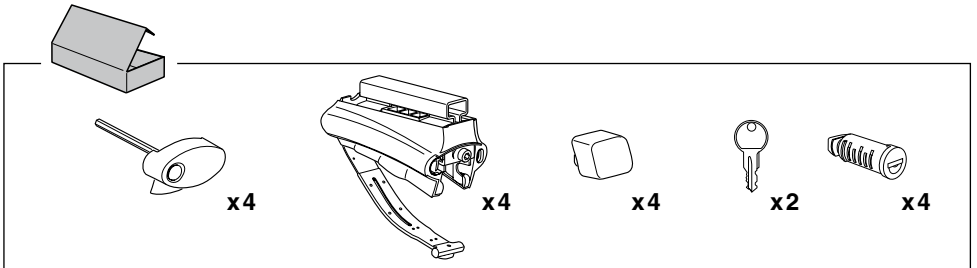
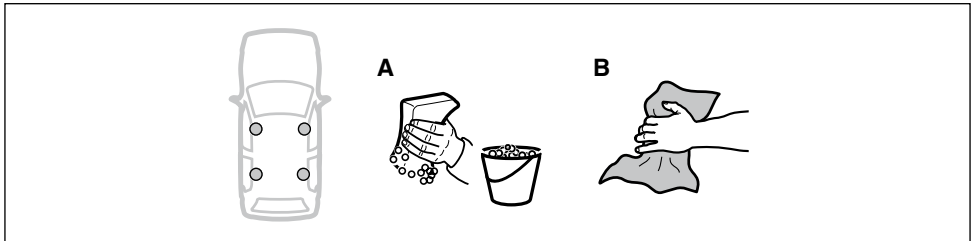
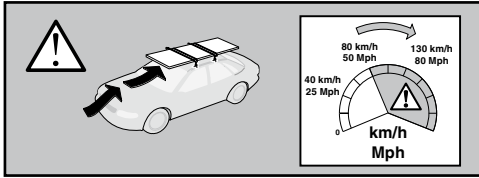
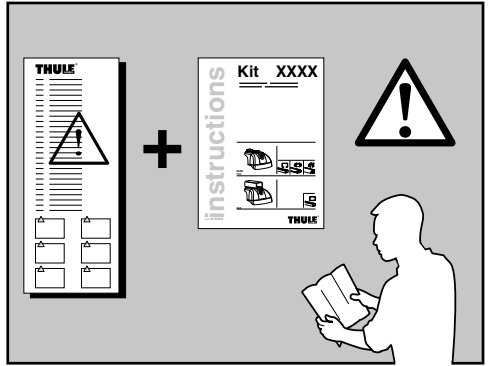
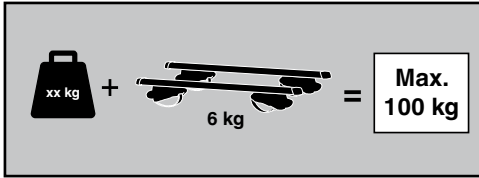


775000

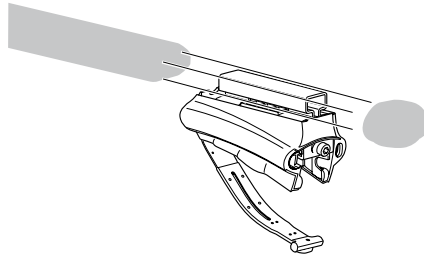
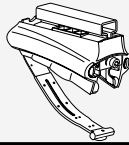


ISO 11154-E

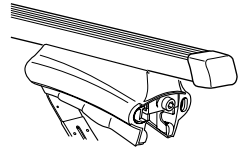
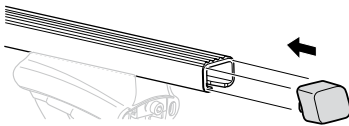
**THULE**<sup>®</sup>  
SWEDEN



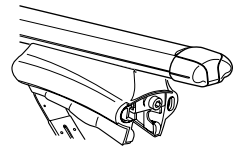
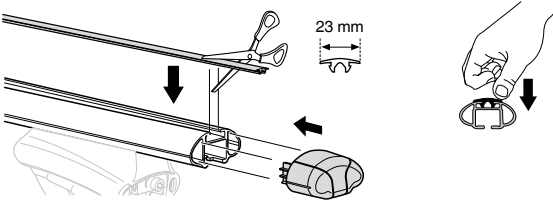
1



x4

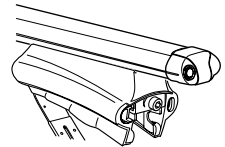
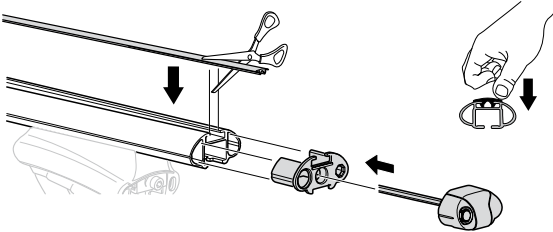


x4



x4

x4



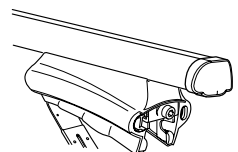
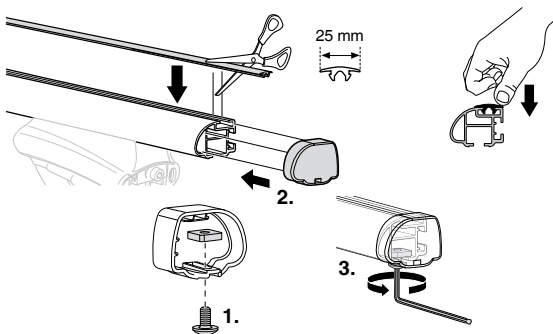
x2

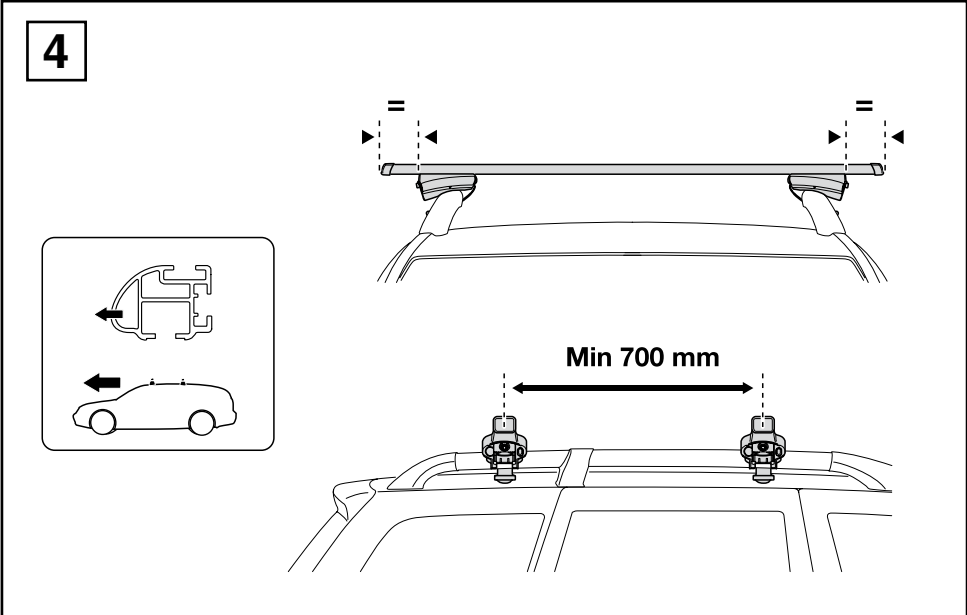
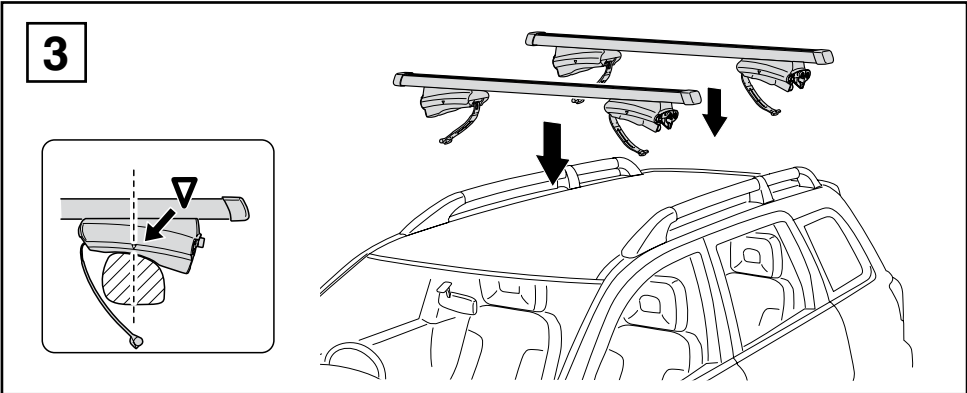
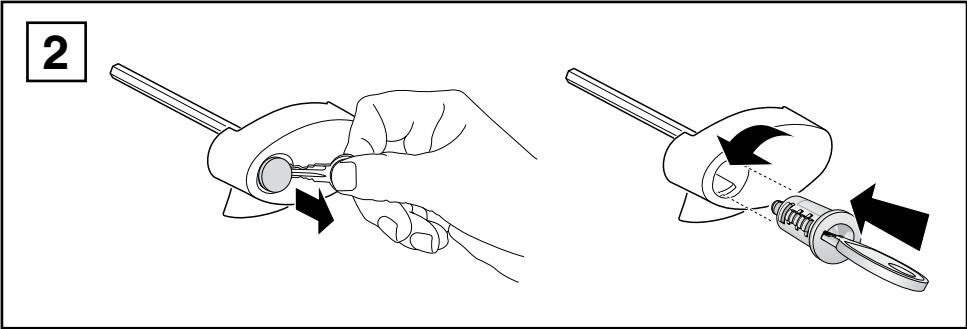
x2

x4

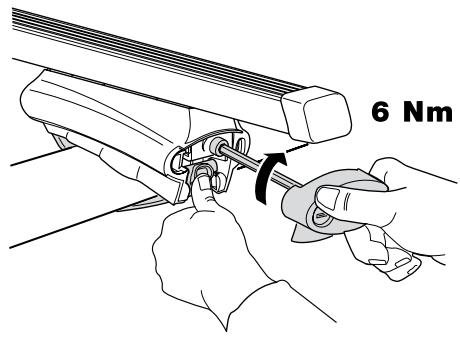
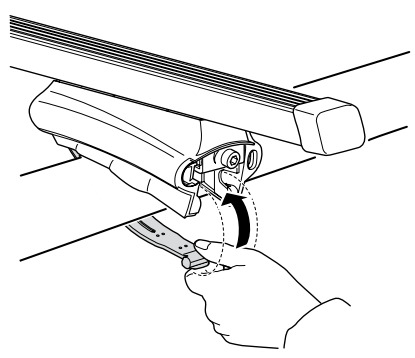
x4

x1  
5 mm

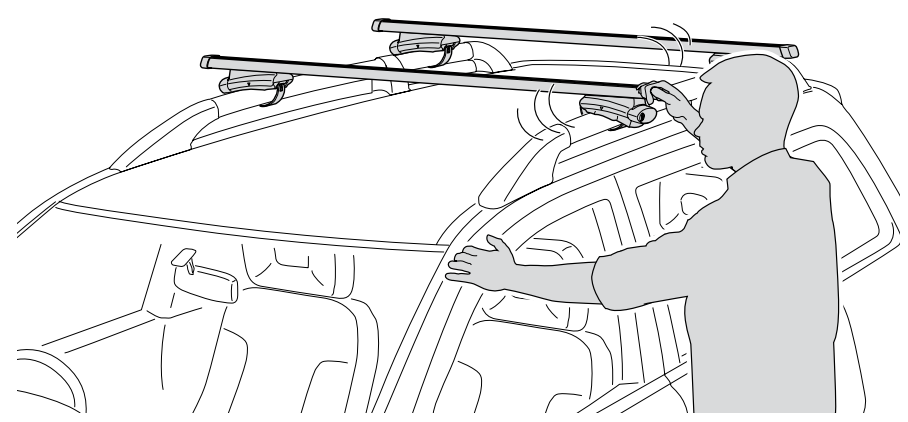
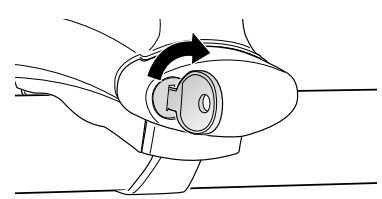
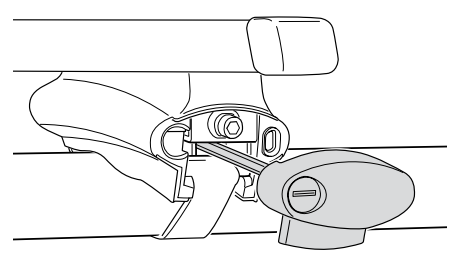


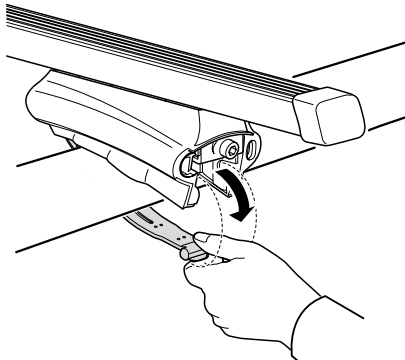
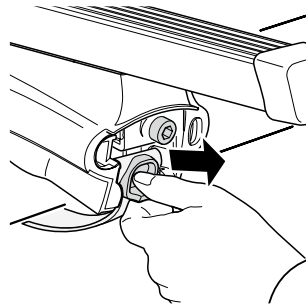
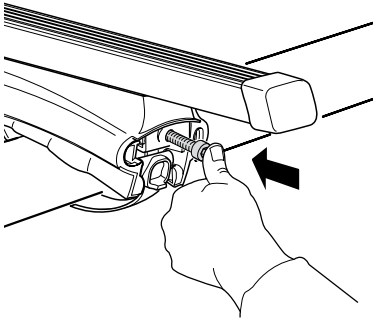
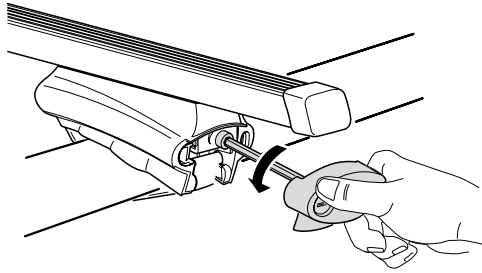
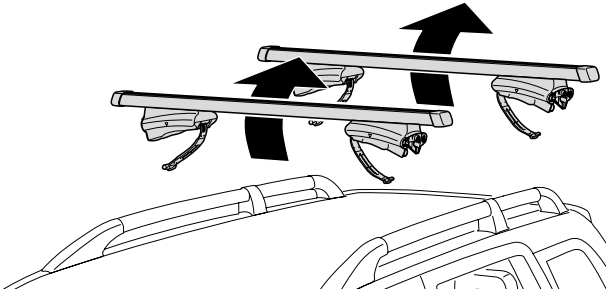


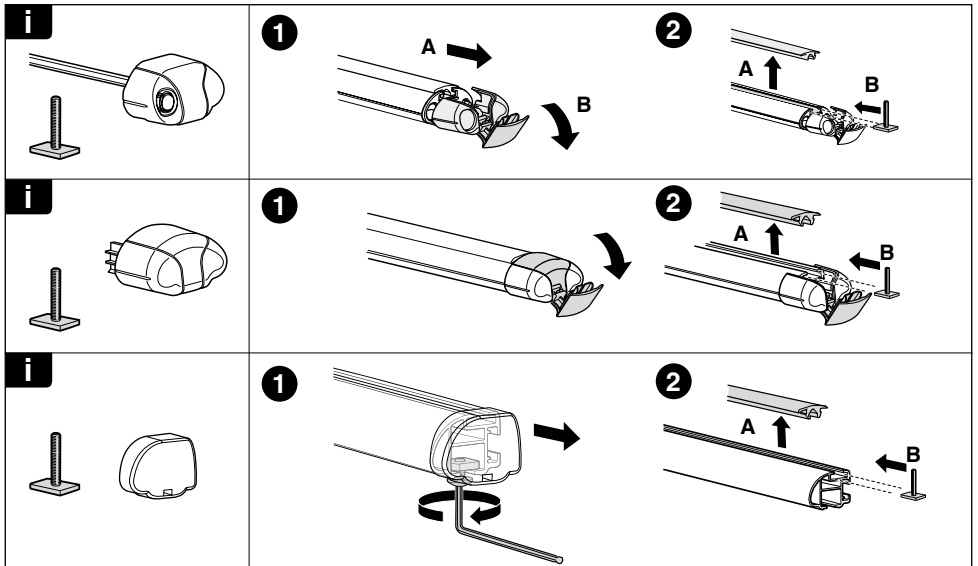
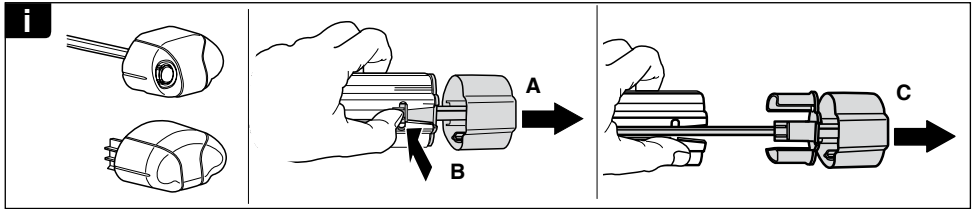
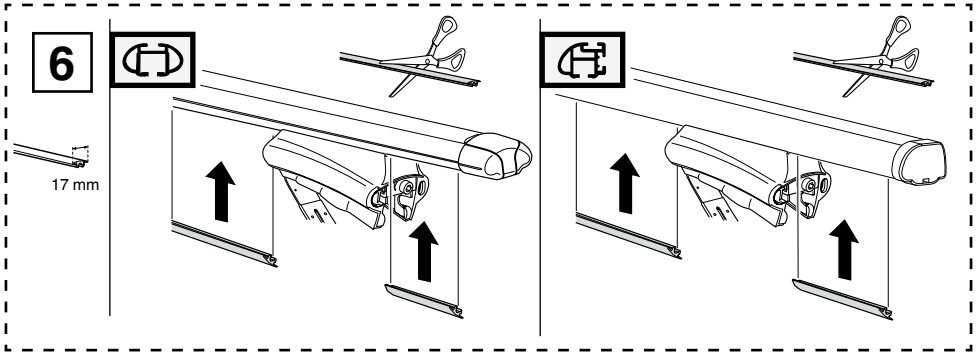
5



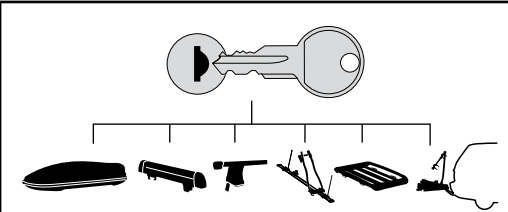
6 Nm







**THULE**  
SWEDEN  
**ONE  
KEY  
SYSTEM**



- 544**  (x4)
- 596**  (x6)
- 588**  (x8)
- 452**  (x12)