

THULE BackUp 900

900/689007 (Thule GmbH no.) 7031-05-900 (Thule Sweden AB)

5 *års garanti*
years warranty
Jahre Garantie
ans de garantie

Technical approval:

TÜV/GS DIN 75302 (Germany)

Materials:

Special UV-protected and impact resistant box material.

Colour:

Lid - grey, structured
Base - anthracite

Production method:

Vacuum-moulded.

Locking mechanism:

Central locking system.

Mounting etc.:

Special U-bolt mounting system.


Dimensions/Weight:

	External
Length (mm):	1470
Width (mm):	570
Height (mm):	700
Volume (litres):	420
Weight (kg):	14

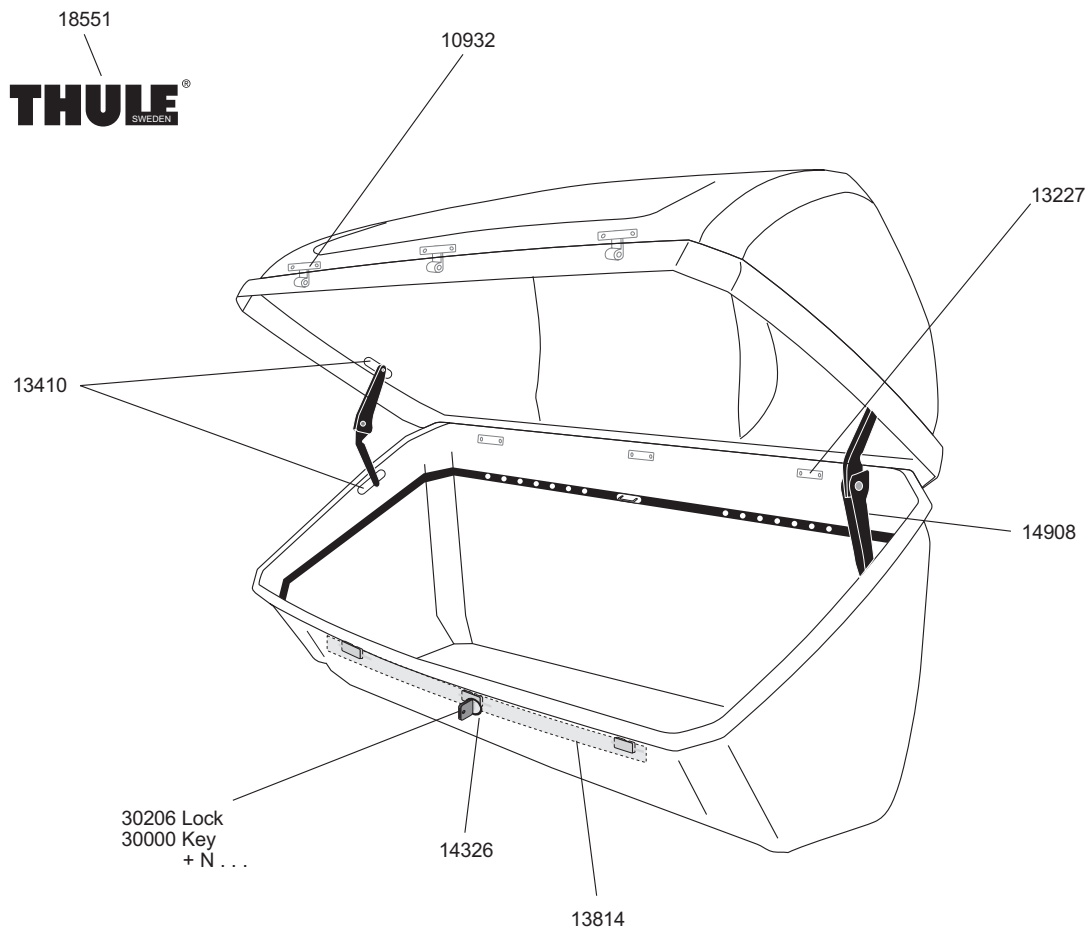
Load:

Maximum load: 50 kg, depends on the RMS carrier system and/or the towbar.








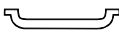



- Central locking system.
- Dual-Force lid opener.
- Loading capacity 50 kg (depends on the RMS carrier system and/or the tow bar).
- TÜV-GS approval.
- Special U-bolt mounting system.
- Thule One Key System. 

THULE BackUp 900



10756

4 x		43216	25 x		14811
4 x		14693	8 x		13545
4 x		14825	2 x		10721
1 x		14812	4 x		14829
8 x		14051			

Packaging

Product	EAN	Kg	L/W/H in mm
900	4002253689007	14	1520/570/700

Product	Packs/Trailer
900	105