

973/973001

5 års garanti
years warranty
Jahre Garantie
ans de garantie

Components:

BASIC FRAME: 2 tubular frames, 1 bike platform shelf with wheel-holder rails, frame holders for first and second bike, upper and lower mounts and securing components.

KIT: Upper support arms and support plates, depending on the car model.

N.B. Both the basic frame and the appropriate kit is necessary for the product to be complete.

Materials/dimensions:

Tubes and wheel rails of galvanized, powder-coated steel, support rails and kit brackets of anodized aluminium, and mounting parts in contact with the car of plastic coated steel.

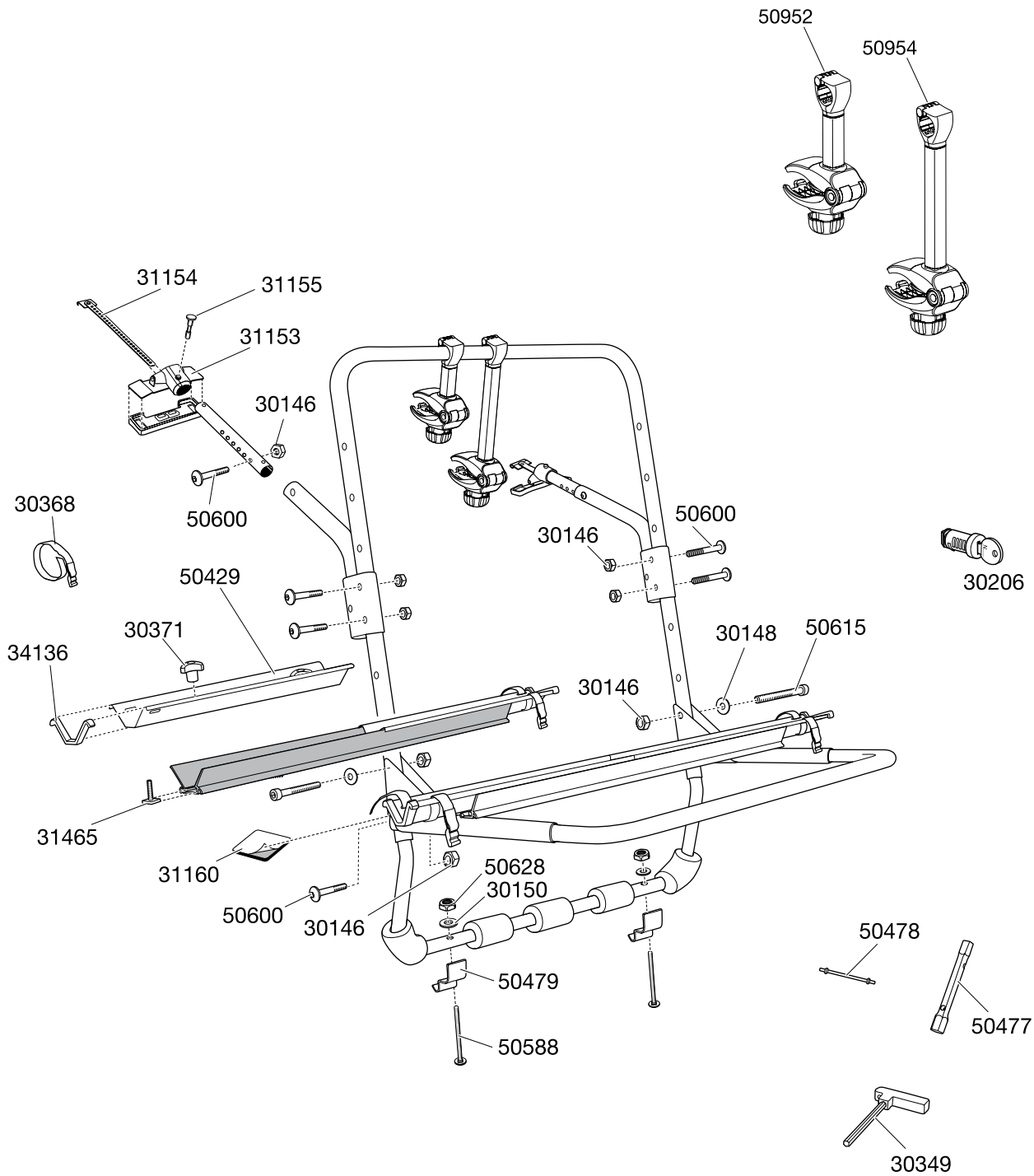
Mounting, etc.:

Assemble the products in accordance with the mounting instruction supplied (enclosed with the kit). Then mount the product on the car, and load the bikes on it.



- TÜV-GS approval by TÜV of Germany.
- Perfect fit on the car.
- Safe and convenient transport of bikes. The frame holder fits all cycle frames from 22 to 70 mm diameter (competition bikes to mountain bikes).
- Obstructs neither the registration plate nor the rear lights.
- The luggage compartment can be opened even with the Backpac mounted (without bikes).
- When platform is unloaded it can be raised and secured to the frame holder, the bike carrier can be left on the luggage compartment lid.
- 60 kg max. load.
- Standard design for 2 bikes. With accessories 973-23 and 973-24, can also transport three and, in certain cases, even four bikes. (See also THULE Guide or www.thule.com.)

Not suitable for cars with spoiler.



973 973002

823/3

Individual packs

Pallet

Product	EAN	Kg	L/W/H in cm
973	7313020024776	15	100/74/15

Product	Qty/kg	L/W/H in cm
973	7/84	80/120/120