

Lockable bike carrier 591 ProRide

591 /1000-57

5 års garanti
years warranty
Jahre Garantie
ans de garantie

Components:

1 pre-assembled bike carrier with two locks. Mounting parts for fitting square load bars or T-track bars.


Materials:

Wheel rail of anodized aluminium.
Frame holder arm of galvanized steel with polyester coating.
Plastic parts in PE, PP, PA, ABS, TPE, POM or TEEE plastic.
Length: 1450 mm
Width: 326 mm

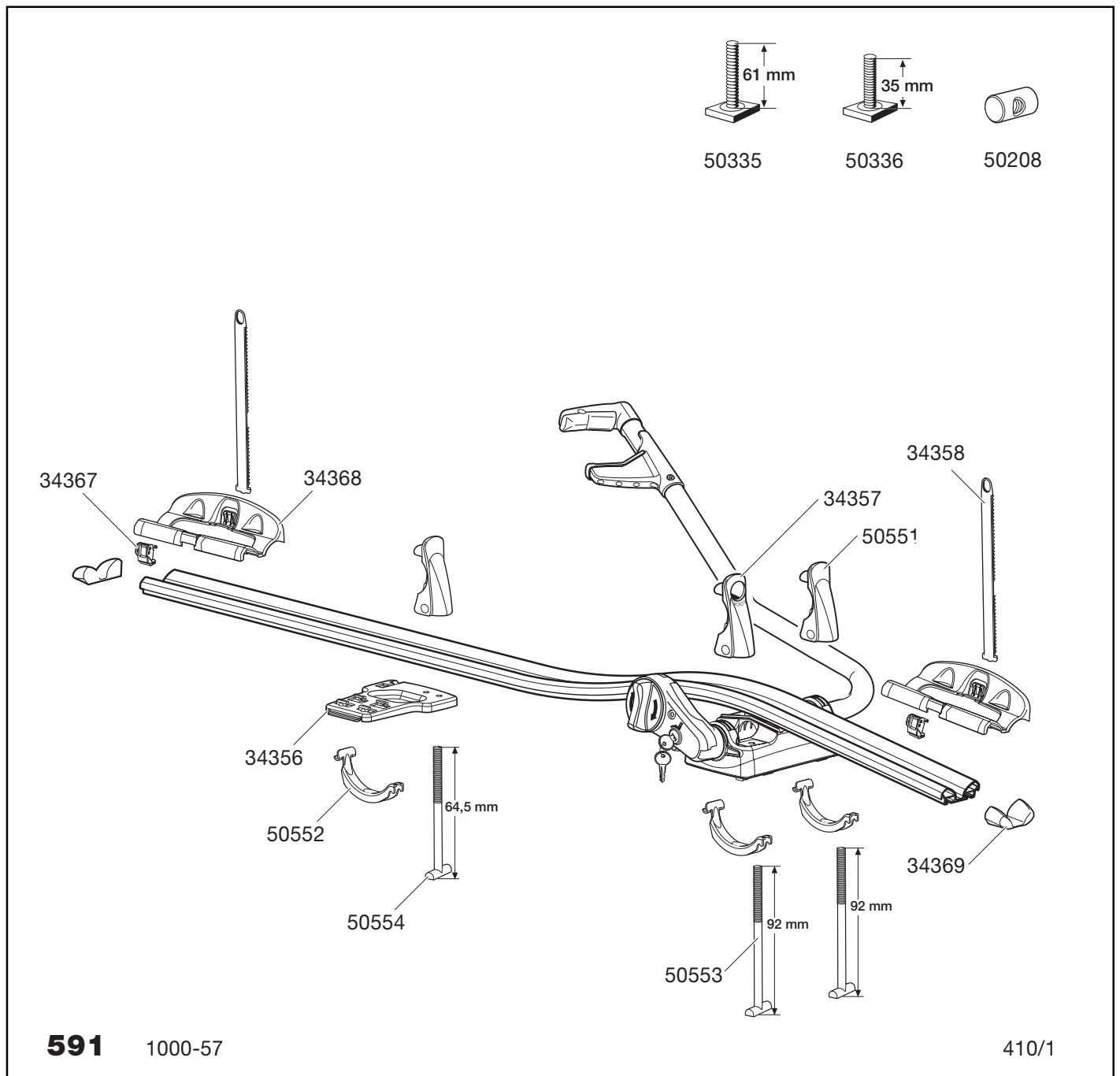
Mounting, etc.:

The bike carrier should be mounted on the load carrier in accordance with the instructions accompanying the product. The bike is easy to load - place the wheels in the wheeltray, slope the frame towards the frame holder and secure the frame holder around the frame. Secure the wheels by means of the wheel holder straps.



- For transporting all types of bikes: mountain bikes, racing bikes and standard bikes.
- Patented Quick Tight function.
- Mounting and locking the frame holder at convenient car roof level.
- Frame holder for round tube frames with tube diameters from 22 to 80 mm. Oval tube frames up to 80 x 100 mm.
- The frame holder is provided with a protective surface to prevent damage to the bike paintwork and cables.
- Adjustable wheel holders that can handle tyres ranging up to 3".
- Can be fitted either from the right side or the left side. Especially useful if there is more than one bike carrier.
- Suitable for both square bars (max. width 65 mm) and T-track section load bars.
- City crash and TÜV-approved.
- Thule One Key System. 

Lockable bike carrier 591 ProRide



Individual packs

| Product | EAN | Kg | L/W/H in cm |
|------------|---------------|-----|-------------|
| 591 | 7313020011448 | 4,9 | 148/34/9 |

Pallet

| Product | Qty/kg | L/W/H in cm |
|------------|--------|-------------|
| 591 | 25/112 | 152/80/119 |