

# Foot pack 950

## For cars without rain gutters

**950**/1071-1-1

Must be supplemented with load carrier bars and kits, see the Thule Roof Rack Guide.

**5** års garanti  
years warranty  
Jahre Garantie  
ans de garantie

### Components:

Foot pack 950: 4 feet + fittings.

### Note!

Must be supplemented with appropriate fitting kit and bar to give a complete load carrier.

### Materials:

Feet in galvanized, black powder coated steel plate.

### Function:

Feet and bars attach to the roof with the help of central bolts that fix the feet and bars simultaneously. Recommended minimum distance between bars: 700 mm.

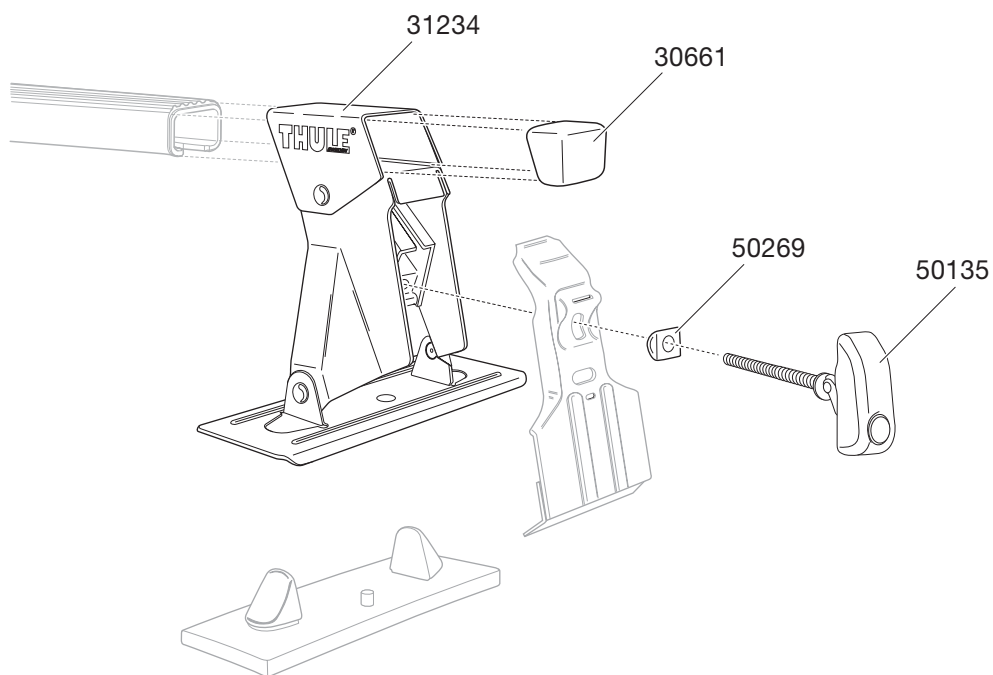


- No tools required.
- Maximum roof load: 75 kg. Observe vehicle manufacturer's instructions.
- Tensioners lock the bars against the feet.
- Bolts are easy to tighten up using the grooved lock caps as tools.
- Patented THULE design.
- Can be locked with:
  - 544 4 lock cylinders
  - 596 6 lock cylinders
  - 588 8 lock cylindersWith 596/588, 2/4 lock cylinders remain available for locking other accessories.
- Featuring THULE's One Key System.



# Foot pack 950

## For cars without rain gutters



**950** 1071-1-1

410/1

### Individual packs

### Pallet

Product	EAN	Kg	L/W/H in cm
<b>950</b>	7313021071113	2,8	40/20/9

Product	Qty/kg	L/W/H in cm
<b>950</b>	144/422	120/80/120